



# Vacuum Excavation Popular Parts

**POWER.  
SPEED.  
SERVICE.**



404-737-UVAC (8822)

# ABOUT US

Vacutec Rental & Sales is your trusted resource in hydro-vac excavation truck services and accessories. We are a company driven by a passion for power, speed, and exceptional service. Our state-of-the-art trucks are equipped with the latest technology and designed to tackle even the most challenging projects with ease. Now serving the Southeast US.

# VACUTEK

404-737-UVAC (8822)

**O'BRIEN**<sup>®</sup>  
Hydro-Jetting Sewer Systems  
A PRODUCT OF HI-VAC<sup>®</sup> CORPORATION

**AQUATECH**<sup>™</sup>  
A PRODUCT OF HI-VAC<sup>®</sup> CORPORATION

**X-VAC**<sup>®</sup>  
A Product of Hi-Vac<sup>®</sup> Corporation

404-737-UVAC (8822)

## SWITCHBLADE ACE NOZZLES

Part No.	Description
A255203-7.2	1/2" FNPT, #8.0 Kit, up to 7.2 GPM
A255203-8.9	1/2" FNPT, #10.0 Kit, up to 8.9 GPM
A255203-10.7	1/2" FNPT, #8.0 Kit, up to 7.2 GPM



**1000 PSI MIN  
3200 PSI MAX**

## SWITCHBLADE DEUCE NOZZLES

Part No.	Description
A255202-7.2	1/2" FNPT, #8.0 Kit, up to 7.2 GPM
A255202-8.9	1/2" FNPT, #10.0 Kit, up to 8.9 GPM
A255202-10.7	1/2" FNPT, #12.0 Kit, up to 10.7 GPM



**1000 PSI MIN  
3200 PSI MAX**

## SWITCHBLADE QUAD NOZZLES

Part No.	Description
A255201-7.2	1/2" FNPT, #8.0 Kit, up to 7.2 GPM
A255201-8.9	1/2" FNPT, #10.0 Kit, up to 8.9 GPM
A255201-10.7	1/2" FNPT, #12.0 Kit, up to 10.7 GPM
A255201-12.5	1/2" FNPT, #14.0 Kit, up to 12.5 GPM



**1000 PSI MIN  
3200 PSI MAX**

## MACHETE OSCILLATING NOZZLES (15° DELTA PATTERN)

Part No.	Description
A255204-5.4	1/2" FNPT, Size 6.0, up to 5.4 GPM
A255204-7.2	1/2" FNPT, Size 8.0, up to 7.2 GPM
A255204-8.9	1/2" Size 10.0, up to 8.9 GPM



**1000 PSI MIN  
3200 PSI MAX**

## REPLACEMENT NOZZLE PILLS FOR SWITCHBLADE NOZZLES

Part No.	Description
A255201-1	1.0 Blue, .5 GPM @ 1000 PSI
A255201-2	2.0 Yellow, 1 GPM @ 1000 PSI
A255201-3	3.0 Green, 1.5 GPM @ 1000 PSI
A255201-4	4.0 Orange, 2 GPM @ 1000 PSI
A255201-5	5.0 Purple, 2.5 GPM @ 1000 PSI



## RIPSAW ROTATING NOZZLES (18° CONE PATTERN)

Part No.	Description
A255200-3	1/2" FNPT, # 3.0, up to 2.7 GPM
A255200-4	1/2" FNPT, # 4.0, up to 3.6 GPM
A255200-5	1/2" FNPT, # 5.0, up to 4.5 GPM
A255200-6	1/2" FNPT, # 6.0, up to 5.4 GPM
A255200-8	1/2" FNPT, # 8.0, up to 7.2 GPM
A255200-10	1/2" FNPT, # 10.0, up to 8.9 GPM
A255200-12	1/2" FNPT, # 12.0, up to 10.7 GPM



**1000 PSI MIN  
3200 PSI MAX**

## RIPSAW HD ROTATING NOZZLES (18° CONE PATTERN)

Part No.	Description
A255200-3-HD	1/2" FNPT, # 3.0, up to 2.7 GPM
A255200-4-HD	1/2" FNPT, # 4.0, up to 3.6 GPM
A255200-5-HD	1/2" FNPT, # 5.0, up to 4.5 GPM
A255200-6-HD	1/2" FNPT, # 6.0, up to 5.4 GPM
A255200-8-HD	1/2" FNPT, # 8.0, up to 7.2 GPM
A255200-10-HD	1/2" FNPT, # 10.0, up to 8.9 GPM
A255200-12-HD	1/2" FNPT, # 12.0, up to 10.7 GPM



**1000 PSI MIN  
3200 PSI MAX**

## RIPSAW HD ROTATING NOZZLES (18° CONE PATTERN)

SS steel body, tungsten carbide p, polyurethane cover.

Part No.	Description
10000607	1/2" FNPT, Size 6.5, up to 7.83 GPM
10000589	1/2" FNPT, Size 8, up to 9.63 GPM



**1450 PSI MIN.  
5800 PSI MAX**

Orifice Size	PRESSURE (PSI)							
	2000	2500	3000	3200	3600	4000	5000	5800
3.0	2.121	2.372	2.598	2.683	2.846	3.000	3.354	3.612
3.5	2.475	2.767	3.031	3.130	3.320	3.500	3.913	4.215
4.0	2.828	3.162	3.464	3.578	3.795	4.000	4.472	4.817
4.5	3.182	3.558	3.897	4.025	4.269	4.500	5.031	5.419
5.0	3.536	3.953	4.330	4.472	4.743	5.000	5.590	6.021
5.5	3.889	4.348	4.763	4.919	5.218	5.500	6.149	6.623
6.0	4.243	4.743	5.196	5.367	5.692	6.000	6.708	7.225
6.5	4.596	5.139	5.629	5.814	6.166	6.500	7.267	7.827
7.0	4.950	5.534	6.062	6.261	6.641	7.000	7.826	8.429
8.0	5.657	6.325	6.928	7.155	7.589	8.000	8.944	9.633
10.0	7.071	7.906	8.660	8.944	9.487	10.000	11.180	12.042
12.0	8.485	9.487	10.392	10.733	11.384	12.000	13.416	14.450

Orifice sizes 4, 4.5, 5, 5.5, 6, 7 & 10 also can be special ordered from the manufacturer. For correct use, the delivery of the nozzle must not exceed 95% of the pump delivery. Values in the green highlighted area have a reaction force greater than 33 ft. lbs.

## 1/4" MNPT SPRAY ORIFICES



Part No.	Description
A249490	#30 - Solid Stream Pattern
A249489-2	#30 - 15° Delta Pattern
A249489-1	#30 - 50° Delta Pattern
A249489	#30 - 95° Delta Pattern

Flow rate for a #30 (.129") orifice is about 23.7 GPM @ 2500 PSI.



## 1/4" NPT ORIFICE ADAPTERS



Part No.	Description
A255103	1/2" NPT Lances, 15K PSI

## HEX PIPE COUPLERS

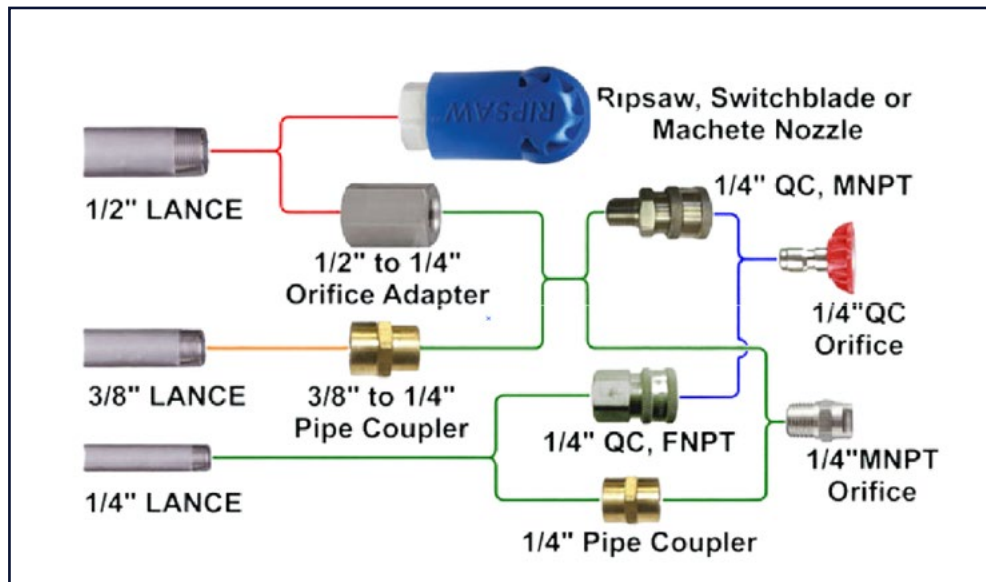


Part No.	Description
C3309X4	1/4" FNPT, 5000 PSI
C3309X6X4	3/8" X 1/4" FNPT, 4000 PSI
C3309X6	3/8" FNPT, 4000 PSI
C3309X8	1/2" FNPT, 3000 PSI

## 1/4" QC SPRAY ORIFICES

Part No.	Description
10000413	#10, 0°, 1/4" QC, Red
10000414	#10, 15°, 1/4" QC, Yellow
10000415	#10, 25°, 1/4" QC, Green
10000416	#10, 40°, 1/4" QC, White

Flow rate for a #10 (.080") orifice is about 10 GPM @ 4000 PSI. These QC orifices will fit quick couplers (10000408 and 10000409) and the (121002415) Giraffe Wand on page 29.



## VERTICAL HYDRO EXCAVATION GUN FOR 1/2" NPT LANCES

Part No.	Description
A255080	32 GPM Gun only 1/2" NPT Inlet & Outlet 4050 PSI



## HYDRO EXCAVATION GUN FOR 1/4" NPT LANCES

Part No.	Description
10000372	10.5 GPM Gun only, 3/8" NPT Inlet, 1/4" NPT Outlet, 5000 PSI



## VERTICAL HYDRO EXCAVATION GUN FOR 1/4" NPT LANCES

Part No.	Description
10000371	10.5 GPM Gun only, 3/8" NPT Inlet, 1/4" NPT Outlet, 4500 PSI



## 1/2" NPT LANCES

Part No.	Description
A255099	1/2" X 36" SS
A255100	1/2" X 48" SS
A255101	1/2" X 60" SS
A255102	1/2" X 72" SS



## 1/4" NPT LANCES

Part No.	Description
10000368	1/4" MNPT X 31" SS
10000369	1/4" MNPT X 40" SS
10000370	1/4" MNPT X 72" SS



## 3/8" NPT LANCES

Part No.	Description
10000460	3/8" X 36" SS
10000461	3/8" X 48" SS
10000462	3/8" X 60" SS
10000463	3/8" X 72" SS
10000464	3/8" X 96" SS





## GIRAFFE TELESCOPING WAND



Part No.	Description
121002415	12' Reach, 10.5 GPM 4000 PSI

1/4" QC Outlet. See [page 7](#) for spray orifices.



## STAINLESS STEEL QUICK COUPLERS

Part No.	Description
10000408	1/4" X 1/4" FNPT Coupler, 6000 PSI
10000409	1/4" X 1/4" MNPT Coupler, 6000 PSI
10000367	1/2" X 1/4" FNPT Coupler, 5000 PSI w/lock
10000410	1/2" X 1/4" MNPT Coupler, 5000 PSI w/lock
10000417	1/2" X 3/8" FNPT Coupler, 5000 PSI w/lock
10000419	1/2" X 3/8" MNPT Coupler, 5000 PSI w/lock
10000420	1/2" X 1/2" FNPT Coupler, 5000 PSI w/lock
10000421	1/2" X 1/2" MNPT Coupler, 5000 PSI w/lock



**FNPT  
COUPLER**



**MNPT  
COUPLER**

## STAINLESS STEEL QC PLUGS

Part No.	Description
10000411	1/4" X 1/4" FNPT Plug, 6000 PSI
10000412	1/4" X 1/4" MNPT Plug, 6000 PSI
10000422	1/2" X 1/4" FNPT Coupler, 5000 PSI
10000423	1/2" X 1/4" MNPT Coupler, 5000 PSI
10000424	1/2" X 3/8" FNPT Coupler, 5000 PSI
10000425	1/2" X 3/8" MNPT Coupler, 5000 PSI
10000426	1/2" X 1/2" FNPT Coupler, 5000 PSI
10000427	1/2" X 1/2" MNPT Coupler, 5000 PSI



**FNPT  
PLUG**



**MNPT  
PLUG**

## HIGH PRESSURE QUICK COUPLERS

Part No.	Description
A383062	1/2" X WB Coupler, 10,000 PSI
A383063	1/2" X WB Plug, 10,000 PSI



## HYDRO EXCAVATION WAND



Part No.	Description
A249213	21 GPM Gun, 1/2" BSP Inlet/Outlet, 8100 PSI , w/1/4" NPT Orifice Adapter, 51" Lance w/side grip
A255104	1/2" BSPM to 1/2" FNPT Adapter



## 1/2" HIGH PRESSURE HOSE

Part No.	Description
A175065	25' 3500 PSI
A175066	35' 3500 PSI
A175069	50' 3500 PSI
A175064	75' 3500 PSI
A175075	100' 3500
A175080	PSI 150'
A175085	3500 PSI
A175090	200' 3500



## 2" WATER Y-STRAINER

Part No.	Description
A384053	Y-Strainer Assy.
A384053-1	Repl. Cap
A384053-2	Repl. Cap Gasket
A384053-5	Repl. 20 Mesh Screen

Cap has external threads.



## WATER PUMPS

MODEL HF25A 19.44 GPM @ 4060 PSI @ 1000 RPM	
A381048	New Pump
A383312-F2028	Plunger Repacking Kit
A383312-F2022 (1 Req.)	Suc on Valve Kit
A383312-F2023 (1 Req.)	Discharge Valve Kit
MODEL KF28A 24.5 GPM @ 3045 PSI @ 1000 RPM	
121002350	New Pump (RH Sha )
121000544	New Pump (LH Sha )
121000544-F2014	Plunger Repacking Kit
A216017-K2012 (1 Req.)	Suc on Valve Kit
A216017-K2013 (1 Req.)	Discharge Valve Kit



MODEL HF25A



MODEL KF28A

## UNLOADER VALVES

Part No.	MAX GPM	MAX PSI	INLET	OUTLET	BYPASS
22973C*	26.4	4060	3/4" FNPT	3/4" FNPT	3/4" FNPT
121001627	29	3050	1/2" BSP-F	1/2" BSP-F	3/4" BSP-F

\*For same valve with a spoked handwheel, order P/N 22973CH.



## HD RINGLOCK \* STYLE EXTENSION TUBES

Part No.	Description
10000500	6"OD X 3'L
10000501	6"OD X 4'L
10000502	6"OD X 5'L
10000503	6"OD X 6'L
10000504	6"OD X 7'L
10000477	8"OD X 3'L
10000478	8"OD X 4'L
10000479	8"OD X 5'L
10000480	8"OD X 6'L
10000481	8"OD X 7'L
10000482	8"OD X 8'L



## HD RINGLOCK \* EXCAVATOR TUB

Part No.	Description
12100329	8"OD X 6'L
10000499	6"OD X 6'L
10000505	Replacement 6" Cuff
10000497	Replacement 8" Cuff



## HD RINGLOCK \* REDUCING ADAPTER

Part No.	Description
10000453	8" Male to 6" Female



## HD RINGLOCK \* REDUCING WYE ADAPTER



Part No.	Description
A240879-6	8" Female to two 4"MNPT
A240879-7	8" Male to two 4"MNPT
10-0212	4" Female Camlock
10-0204	4" Male Camlock
02-1004-P	4"MNPT Hose Shank



## HD RINGLOCK \* HOSE SHANK COUPLER

Part No.	Description
10000488	6" Male to 6" Hose 6"
10000475	Female to 6" Hose 8"
10000474	Female to 8" Hose



## 6" FLAT FLANGE REDUCING

Part No.	Description
10000396	6" to 4" Female Camlock
10-0204	4" Male Camlock
02-1004-P	4"MNPT Hose Shank



## HD RINGLOCK \* GASKETS

Part No.	Description
10000598	6" Female Coupler
10000599	8" Female Coupler



## HD RINGLOCK \* CLAMPS

Part No.	Description
U4804-0016	6" Tubes
A220425	8" Tubes



## FLAT FLANGE STYLE EXTENSION TUBES

Part No.	Description
A249033-6	6"OD X 3'L
121003289	6"OD X 4'L
A381845-2	6"OD X 6'L
A381845-1	6"OD X 7'L
A249033	8"OD X 3'L
A249032-4	8"OD X 4'L
A249032	8"OD X 5'L
A384000	8"OD X 6'L
A249032-7	8"OD X 7'L
A249031	8"OD X 8'L
A383993	8"OD X 10'L



## FLAT FLANGE STYL EXCAVATOR TUBES

Part No.	Description
A255044	6"OD X 7'L
A255062	8"FL to 6"OD X 6'L
A382810-P	8"OD X 6'L
10000505	Replacement 6" Cuff
10000497	Replacement 8" Cuff



## 8" FLAT FLANGE REDUCING WYE ADAPTER



Part No.	Description
A240879-3	8" to two 4"MNPT
10-0212	4" Female Camlock
10-0204	4" Male Camlock
02-1004-P	4"MNPT Hose Shank



## FLAT FLANGE QUICK CLAMPS

Part No.	Description
A381850	6" Tubes
A381675	8" Tubes



## FLAT FLANGE HOSE SHANK COUPLERS

Part No.	Description
A304687	6" Flange to 6" Hose
10000510	8" Flange to 4" Hose
10000509	8" Flange to 6" Hose
A381677	8" Flange to 8" Hose

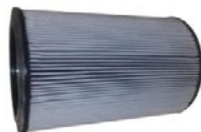


## FLAT FLANGE REDUCING ADAPTER



Part No.	Description
A255043	8" to 6"
121002397	6" to 4"

## BLOWER INTAKE FILTER CARTRIDGE



Part No.	Description
300001180	6" and 8" Booms

## T-BOLT HOSE CLAMPS

Part No.	Description
10-0575	6" Hose
A381225	8" Hose

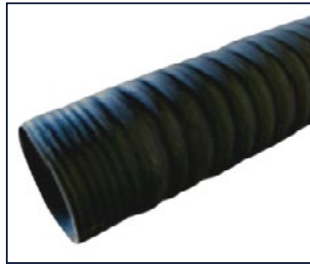


## BOOM HOSE ROLLER

Part No.	Description
300001180	6" and 8" Booms



## BOOM HOSES



Part No.	Description
A176618	6"ID X 16'L
U7000-0004	6"ID X 20'L
A176620-Y	8"ID X 20'L HD
A176642-24	8"ID X 24'L HD
A176620-1-Y	8"ID X 26.5'L HD

## CLOSURE SEALS



Part No.	Description
A191286	8" to 10"ID Flare X 10"L
U5607-0012	10" to 12"ID Flare X 10.25"L
U5607-0013	12" to 13.25"ID Flare X 10"L

## RINGLOCK ADAPTER FOR TURRET END OF BOOM HOSE



Part No.	Description
A380754	Adapter for 6" Hose
A380355	Adapter for 8" Hose

## 3-WAY HD BALL VALVES



Part No.	Description
A381714	1/2" 5075 PSI
A130925	3/4" 5000 PSI
A130920	1" 5000 PSI

## BOOM HOSE TO TURRET RINGLOCK ADAPTER



Part No.	Description
A249391	Adapter for 6" Hose
U4805-0012	6" Inlet Seal
U4804-0016	6" Ringlock Clamp
A245581	Adapter for 8" Hose
A191804	8" Inlet Seal
A220425	8" Ringlock Clamp
300001181	Square Flange Gasket

## 1/2" NPT HANNAY HOSE REEL SWIVELS



Part No.	Description
A130571-42	3000 PSI MxF
A130571-5-SW	5000 PSI MxF

## HD BALL VALVES



Part No.	Description
A381714	1/2" 5075 PSI
A130925	3/4" 5000 PSI
A130920	1" 5000 PSI

## WATER PRESSURE GAUGES



Part No.	Description
A131782	5000 PSI Pedestal Mount
A131788	5000 PSI Flange Mount

## BLOWER TEMPERATURE GAUGE



Part No.	Description
121004484	100-400°F

## VACUUM GAUGE



Part No.	Description
A131765	-30 to 15 hg



## WIRELESS REMOTE SYSTEM

Part No.	Description
121001268	Aarcomm Kit
121002734	Repl. Handheld Transmier
121005023	Repl. Receiver
121002690	Repl. Charger Base
121005080	Repl. Transmi er Pouch
121005081	Repl. Shoulder Strap

## HOTSY RUPTURE DISK



Part No.	Description
A381599-RD85	8500 PSI

## HOTSY SAFETY RELIEF VALVE



Part No.	Description
A381599-2-SV	Safety Valve

## THERMOSTATS



Part No.	Description
121004484	100-400°F

## HOTSY HIGH LIMIT SWITCH



Part No.	Description
A381599-02	Limit Switch



## DYNABLAST PRESSURE RELIEF VALVE



Part No.	Description
10000215	For Model 420
10000216	For Model 670

## "LAST CHANCE" HYDRAULIC FILTER



Part No.	Description
10000213	Flame Detector

## HOTSY FUEL FILTER



Part No.	Description
A381599-2-SV	Safety Valve

## SPIN-ON HYDRAULIC FILTER



Part No.	Description
10000213	Flame Detector

## DYNABLAST PHOTO SENSOR

Part No.	Description
10000213	Flame Detector



## PAL HYDRAULIC FILTER ELEMENTS



Part No.	Description
121004989	4" Long Medium Pressure
A383754-E	7.5" Long High Pressure
121003670	13" Long Return
A384096-E	20" Long Return

## PARKER HYDRAULIC FILTER ELEMENT



Part No.	Description
121005071	High Pressure

**VACUTEK**

404-737-UVAC (8822)